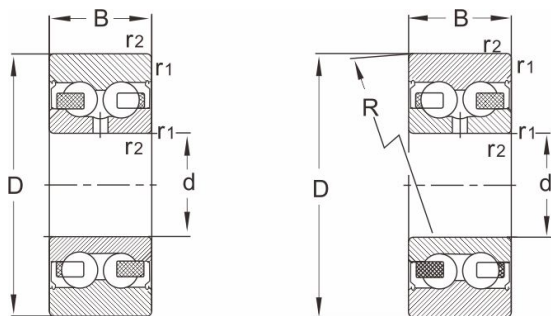


# 305708.2RSR

## Dimensions and Parameters



3057...2Z  
3067...2Z

3058...2Z  
3068...2Z

### Designation

Cylinder outer diameter	305708.2RSR
Spherical outer diameter	305808.2RSR

### Boundary dimensions[mm]

D	85
d	40
B	30.2
R	400
r1,r2 min	1.1

### Speed ratings[rpm]

min-1	5000
-------	------

### Load ratings[kN]

#### As a bearing

Dyn Cr	50
Stat Cor	37.5

#### As a roller

Dyn Cr	34.5
Stat Cor	22.5

### Maximum allowable load

Dyn Cr	208.8
Stat Cor	36
Mass[kg]	0.75