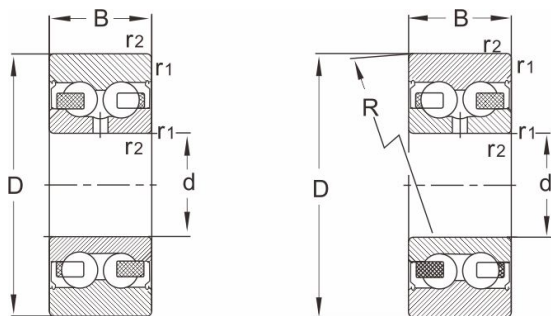


305707.2Z

Dimensions and Parameters



3057...2Z
3067...2Z

3058...2Z
3068...2Z

Designation

Cylinder outer diameter	305707.2Z
Spherical outer diameter	305807.2Z

Boundary dimensions[mm]

D	80
d	35
B	27
R	400
r1,r2 min	1.1

Speed ratings[rpm]

min-1	5300
-------	------

Load ratings[kN]

As a bearing

Dyn Cr	39
Stat Cor	28.5

As a roller

Dyn Cr	35.1
Stat Cor	24

Maximum allowable load

Dyn Cr	31
Stat Cor	44
Mass[kg]	0.65