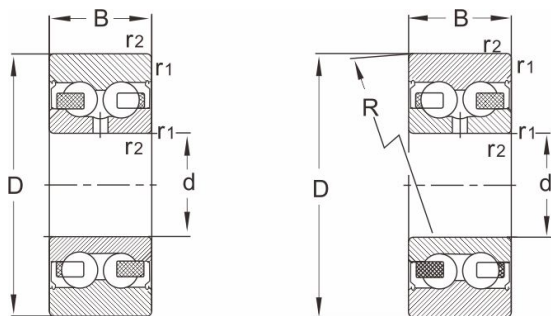


# 305707.2RSR

## Dimensions and Parameters



3057...2Z  
3067...2Z

3058...2Z  
3068...2Z

### Designation

Cylinder outer diameter	305707.2RSR
Spherical outer diameter	305807.2RSR

### Boundary dimensions[mm]

D	80
d	35
B	27
R	400
r1,r2 min	1.1

### Speed ratings[rpm]

min-1	3500
-------	------

### Load ratings[kN]

#### As a bearing

Dyn Cr	39
Stat Cor	28.5

#### As a roller

Dyn Cr	35.1
Stat Cor	24

### Maximum allowable load

Dyn Cr	31
Stat Cor	44
Mass[kg]	0.65