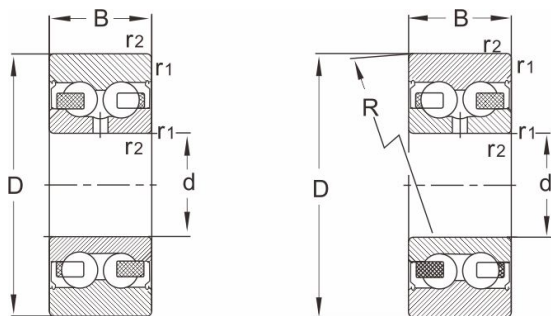


# 305706.2Z

## Dimensions and Parameters



3057...2Z  
3067...2Z

3058...2Z  
3068...2Z

### Designation

Cylinder outer diameter	305706.2Z
Spherical outer diameter	305806.2Z

### Boundary dimensions[mm]

D	72
d	30
B	23.8
R	400
r1,r2 min	1

### Speed ratings[rpm]

min-1	6000
-------	------

### Load ratings[kN]

#### As a bearing

Dyn Cr	29.6
Stat Cor	21.2

#### As a roller

Dyn Cr	27.6
Stat Cor	18.6

### Maximum allowable load

Dyn Cr	34
Stat Cor	49
Mass[kg]	0.49