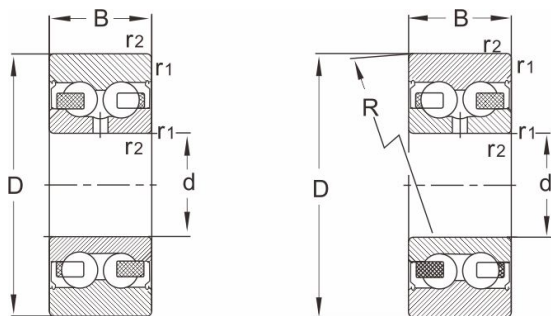


305705.2RSR

Dimensions and Parameters



3057...2Z
3067...2Z

3058...2Z
3068...2Z

Designation

Cylinder outer diameter	305705.2RSR
Spherical outer diameter	305805.2RSR

Boundary dimensions[mm]

D	62
d	25
B	20.6
R	400
r1,r2 min	1

Speed ratings[rpm]

min-1	4500
-------	------

Load ratings[kN]

As a bearing

Dyn Cr	21.2
Stat Cor	14.6

As a roller

Dyn Cr	19.9
Stat Cor	13.4

Maximum allowable load

Dyn Cr	30.5
Stat Cor	44
Mass[kg]	0.32