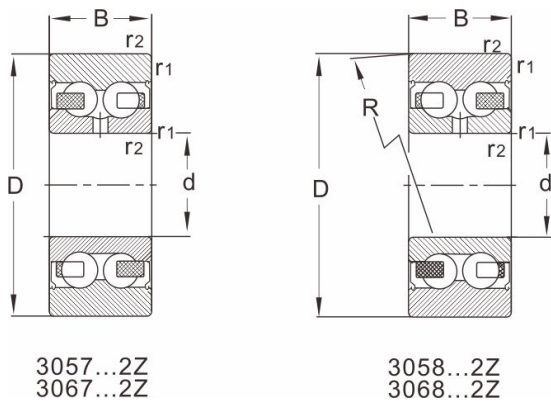


305702.2Z

Dimensions and Parameters



Designation□

| | |
|--------------------------|-----------|
| Cylinder outer diameter | 305702.2Z |
| Spherical outer diameter | 305802.2Z |

Boundary dimensions[mm]

| | |
|-----------|------|
| D | 40 |
| d | 15 |
| B | 15.9 |
| R | 400 |
| r1,r2 min | 0.6 |

Speed ratings[rpm]

| | |
|-------|-------|
| min-1 | 10000 |
|-------|-------|

Load ratings[kN]

As a bearing

| | |
|----------|------|
| Dyn Cr | 11.9 |
| Stat Cor | 7.1 |

As a roller

| | |
|----------|------|
| Dyn Cr | 11.1 |
| Stat Cor | 6.4 |

Maximum allowable load

| | |
|----------|------|
| Dyn Cr | 12.2 |
| Stat Cor | 17.6 |
| Mass[kg] | 0.1 |