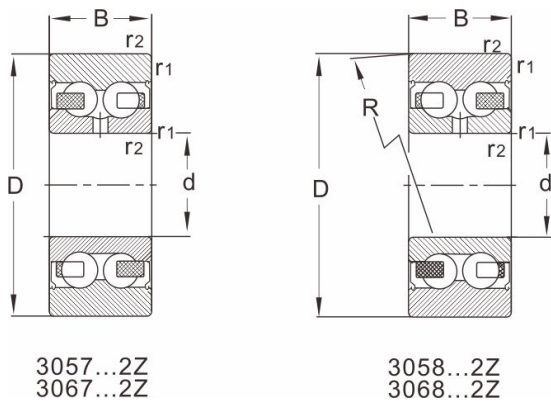


# 305702.2RSR

## Dimensions and Parameters



### Designation

Cylinder outer diameter	305702.2RSR
Spherical outer diameter	305802.2RSR

### Boundary dimensions[mm]

D	40
d	15
B	15.9
R	400
r1,r2 min	0.6

### Speed ratings[rpm]

min-1	6500
-------	------

### Load ratings[kN]

#### As a bearing

Dyn Cr	11.9
Stat Cor	7.1

#### As a roller

Dyn Cr	11.1
Stat Cor	6.4

### Maximum allowable load

Dyn Cr	12.2
Stat Cor	17.6
Mass[kg]	0.1