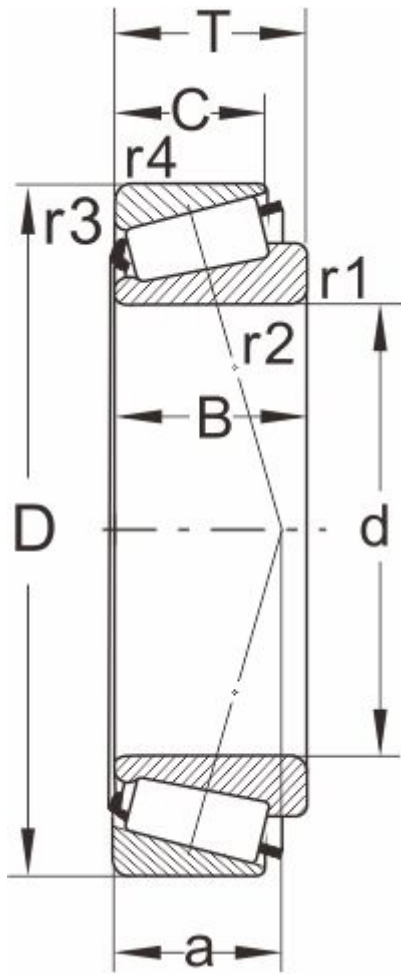


# 30352

## Dimensions and Parameters



### Designation

DIN720	30352
ISO355	--

### Boundary dimensions(mm)

d	260
D	540
B	102
C	85
T	113
r1,r2 min	6
r3,r4 min	6
a	--

### Speed ratings

grease	630
oil	850

### Load ratings[kN]

dyn Cr	2120
stat Cor	3050

### Calculation factors

e	0.35
Y	1.7
Y0	0.9

### Abutment and fillet

#### dimensions(mm)

Da max	286
db min	325

## Single Row Tapered Roller Bearings (Metric Series)

---

Da min	512
Db min	493
Ca min	--
Cb min	--
Mass (kg)	110