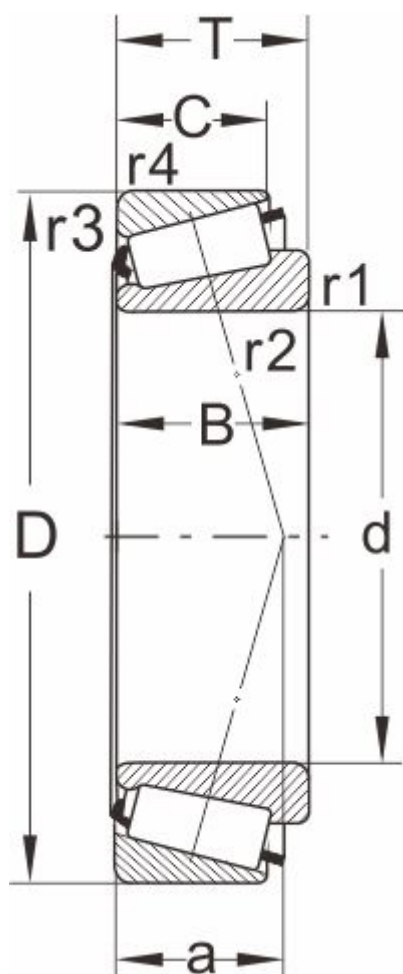


30248

Dimensions and Parameters



Designation

DIN720	30248
ISO355	--

Boundary dimensions(mm)

d	240
D	440
B	72
C	60
T	79
r1,r2 min	5
r3,r4 min	4
a	--

Speed ratings

grease	800
oil	1100

Load ratings[kN]

dyn Cr	990
stat Cor	1400

Calculation factors

e	0.44
Y	1.4
Y0	0.74

Abutment and fillet

dimensions(mm)

Da max	290
db min	267

Single Row Tapered Roller Bearings (Metric Series)

Da min	401
Db min	422
Ca min	--
Cb min	--
Mass (kg)	45.2