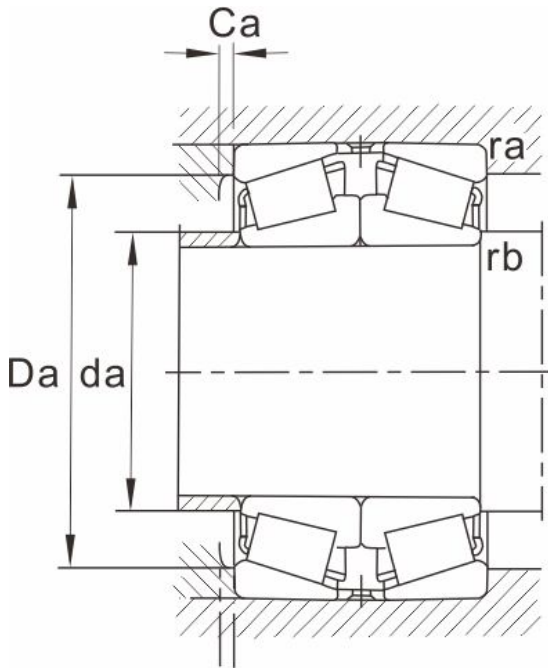


# 30226.DF

## Dimensions and Parameters



Bearing NO.	30226.DF
-------------	----------

### Boundary dimensions [mm]

d	130
D	230
T	87.5

### Load ratings [kN]

Dyna Cr	627
Static Dor	980

### Fatigue load limit [kN]

$p_u$	106
-------	-----

### Speed ratings [rpm]

grease	--
Oil	--
Mass [kg]	14.5

### Bearing dimensions

2B	80
r3.4 min	3
r5 min	1

### Abutment and fillet

#### dimensions

da max	152
Da min	203
Da max	216
Ca min	7
ra max	2.5
rb max	--

## Paired Single Row Tapered Roller Bearings (Face to Face)

---

### Calculation factors

e	0.43
Y1	1.6
Y2	2.3
Y0	1.6