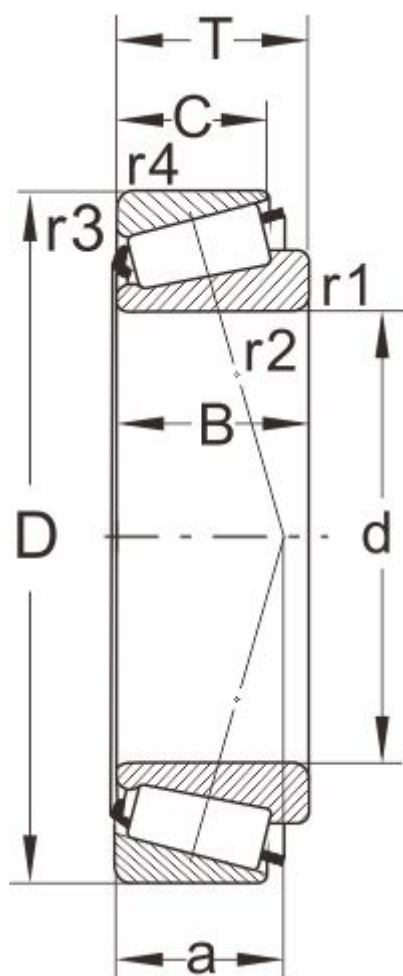


# 30219

## Dimensions and Parameters



### Designation

DIN720	30219
ISO355	T3FB095

### Boundary dimensions(mm)

d	95
D	170
B	32
C	27
T	34.5
r1,r2 min	3
r3,r4 min	2.5
a	34

### Speed ratings

grease	1900
oil	2800

### Load ratings[kN]

dyn Cr	224
stat Cor	285

### Calculation factors

e	0.42
Y	1.43
Y0	0.79

### Abutment and fillet

#### dimensions(mm)

Da max	110
db min	107

## Single Row Tapered Roller Bearings (Metric Series)

---

Da min	149
Db min	159
Ca min	5
Cb min	7.5
Mass (kg)	3.2