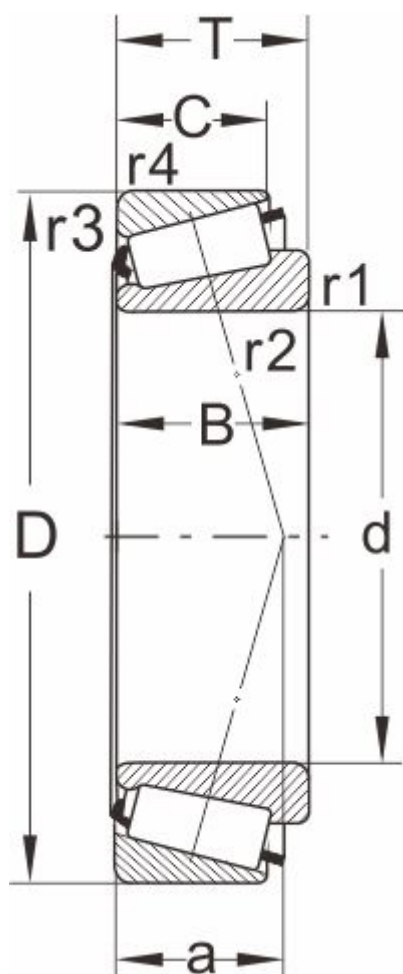


30218

Dimensions and Parameters



Designation

DIN720	30218
ISO355	T3FB090

Boundary dimensions(mm)

d	90
D	160
B	30
C	26
T	32.5
r1,r2 min	2.5
r3,r4 min	2
a	32

Speed ratings

grease	2000
oil	3000

Load ratings[kN]

dyn Cr	204
stat Cor	260

Calculation factors

e	0.42
Y	1.43
Y0	0.79

Abutment and fillet

dimensions(mm)

Da max	103
db min	100

Single Row Tapered Roller Bearings (Metric Series)

Da min	140
Db min	150
Ca min	5
Cb min	6.5
Mass (kg)	2.6