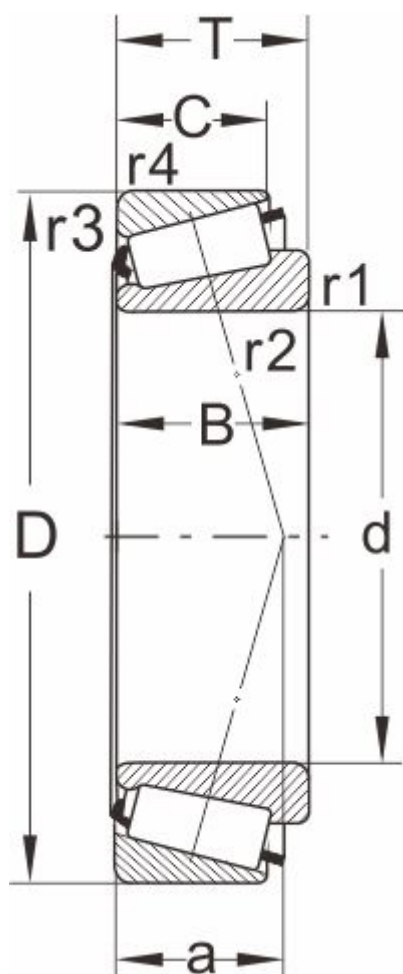


30204

Dimensions and Parameters



Designation

DIN720	30204
ISO355	T2DB020

Boundary dimensions(mm)

d	20
D	47
B	14
C	12
T	15.25
r1,r2 min	1
r3,r4 min	1
a	11

Speed ratings

grease	8500
oil	12000

Load ratings[kN]

dyn Cr	28.5
stat Cor	29

Calculation factors

e	0.35
Y	1.74
Y0	0.96

Abutment and fillet

dimensions(mm)

Da max	27
db min	26

Single Row Tapered Roller Bearings (Metric Series)

Da min	40
Db min	43
Ca min	2
Cb min	3
Mass (kg)	0.13