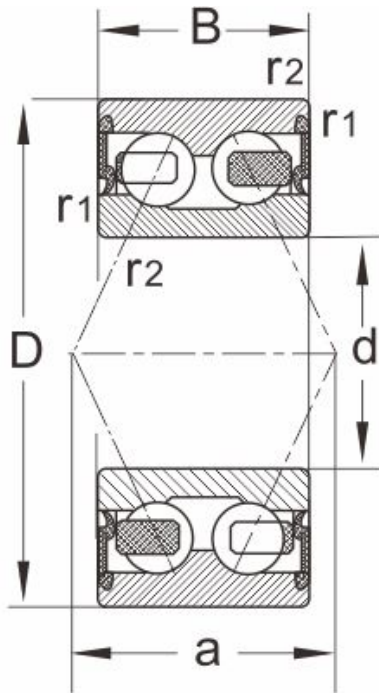


3015B.2RSR

Dimensions and Parameters



30..B.2RSR,32..B.2RSR
 33..B.2RSR,38..B.2RSR
 39..B.2RSR

Designations	3015B.2RSR
Boundary dimensions	
d	75
D	115
B	30
r1,r2 Min	1.1
a ≈	--
Load ratings[KN]	
Dynmic Cr	57.7
stat Cor	66.5
Speed ratings[rpm]	
grease	3400
oil	--
Mass	1.003