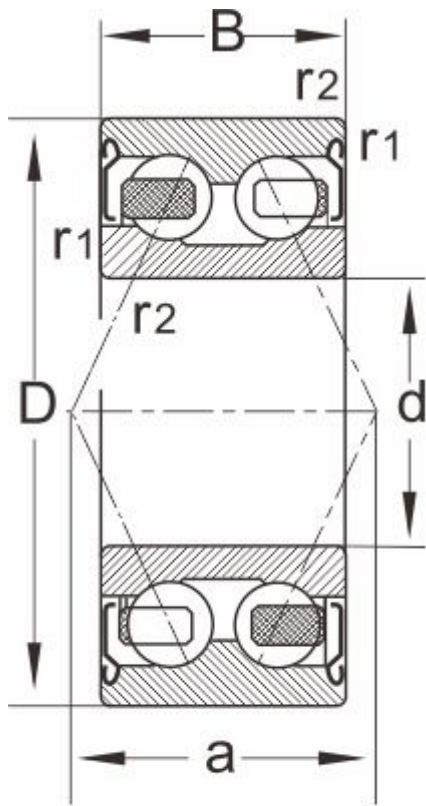


3007B.2Z

Dimensions and Parameters



32..B.2Z
33..B.2Z

Designations	3007B.2Z
Boundary dimensions	
d	35
D	62
B	20
r1,r2 Min	1
a ≈	27.8
Load ratings[KN]	
Dynmic Cr	24.2
stat Cor	20.4
Speed ratings[rpm]	
grease	6500
oil	--
Mass	0.24