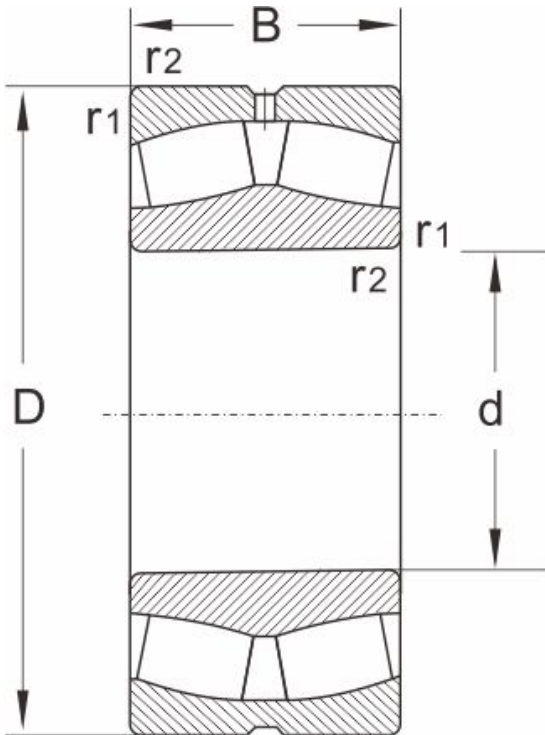


# 241/710K30.MB

## Dimensions and Parameters



Designation	241/710K30.MB
Dimensions (mm)	
d	710
D	1150
B	438
r1,r2 min	9.5
Load ratings(KN)	
dyn Cr	15600
stat Cor	35500
Speed ratings (rpm)	
grease	200
oil	280
Calculation factors	
e	0.38
Y1	1.8
Y2	2.7
Yo	1.8
Mass	
(kg)	1910