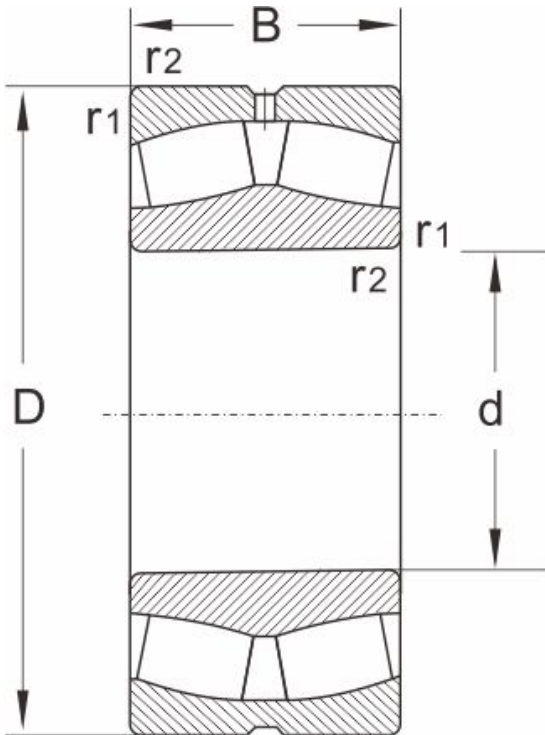


24076K30.MB

Dimensions and Parameters



Designation	24076K30.MB
-------------	-------------

Dimensions (mm)

d	380
D	560
B	180
r1,r2 min	5

Load ratings(KN)

dyn Cr	3150
stat Cor	6710

Speed ratings (rpm)

grease	450
oil	600

Calculation factors

e	0.31
Y1	2.2
Y2	3.2
Yo	2.1

Mass

(kg)	152
------	-----