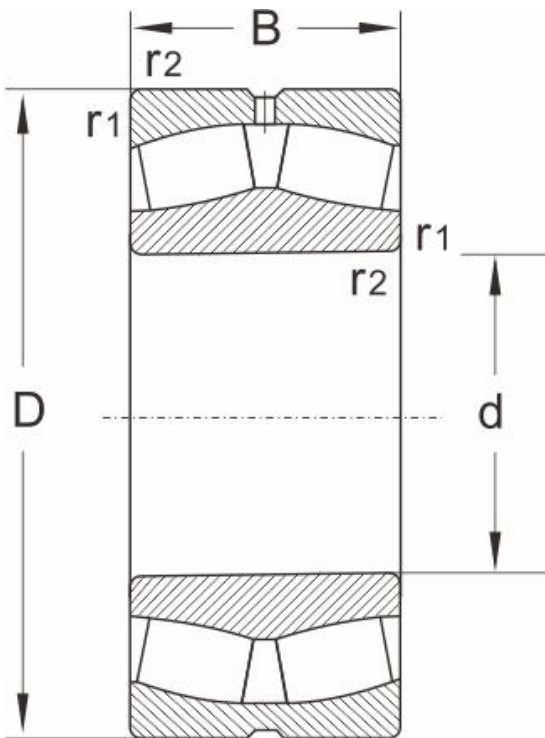


# 24026c

## Dimensions and Parameters



Designation	24026c
Dimensions (mm)	
d	130
D	200
B	69
r1,r2 min	2
Load ratings(KN)	
dyn Cr	530
stat Cor	900
Speed ratings (rpm)	
grease	1200
oil	1600
Calculation factors	
e	0.31
Y1	2.2
Y2	2.3
Yo	2.2
Mass	
(kg)	7.95