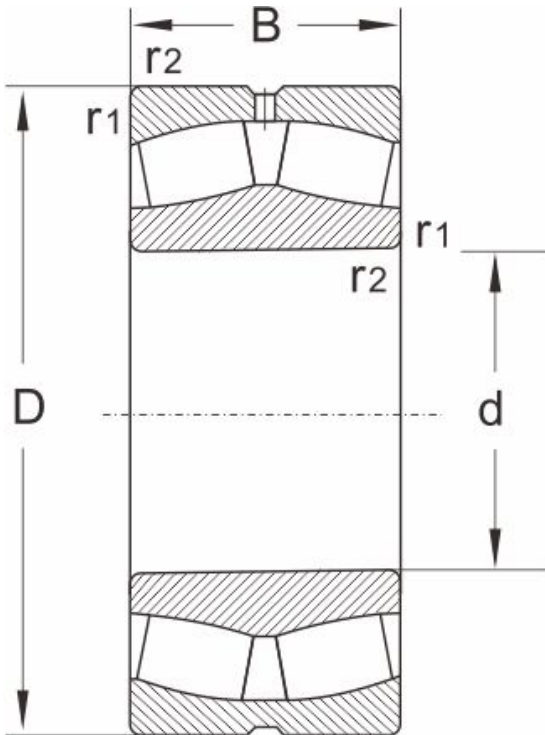


23276K.MB

Dimensions and Parameters



Designation	23276K.MB
-------------	-----------

Dimensions (mm)

d	380
D	680
B	240
r1,r2 min	6

Load ratings(KN)

dyn Cr	5050
stat Cor	9660

Speed ratings (rpm)

grease	400
oil	530

Calculation factors

e	0.35
Y1	1.9
Y2	2.9
Yo	1.8

Mass

(kg)	375
------	-----