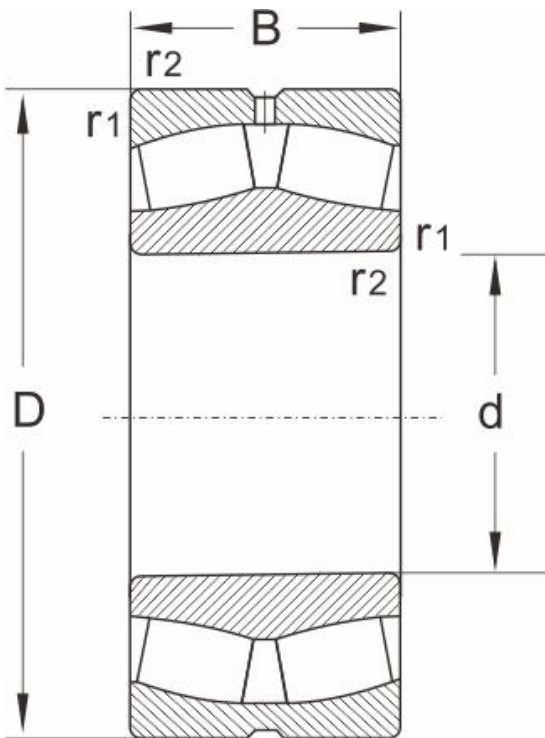


# 23022c

## Dimensions and Parameters



Designation	23022c
-------------	--------

### Dimensions (mm)

d	110
D	170
B	45
r1,r2 min	2

### Load ratings(KN)

dyn Cr	335
stat Cor	510

### Speed ratings (rpm)

grease	2200
oil	3000

### Calculation factors

e	0.23
Y1	2.9
Y2	4.3
Yo	2.8

### Mass

(kg)	3.54
------	------