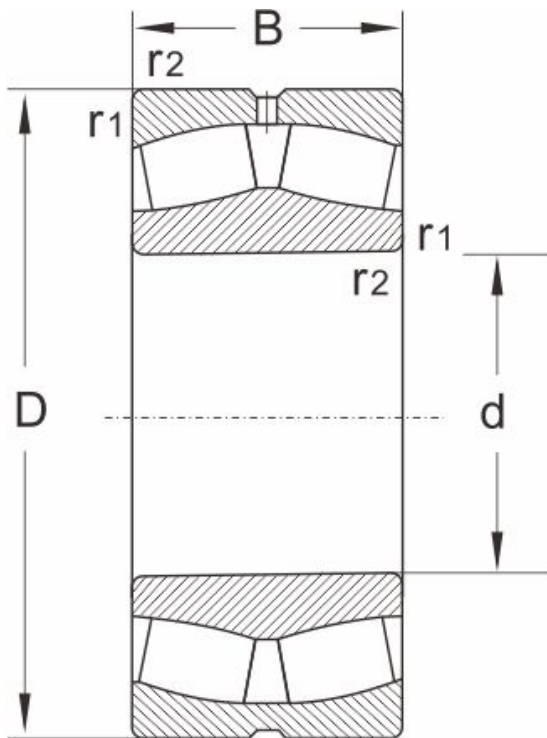


# 22230c

## Dimensions and Parameters



|                     |        |
|---------------------|--------|
| Designation         | 22230c |
| Dimensions (mm)     |        |
| d                   | 150    |
| D                   | 270    |
| B                   | 73     |
| r1,r2 min           | 3      |
| Load ratings(KN)    |        |
| dyn Cr              | 880    |
| stat Cor            | 1300   |
| Speed ratings (rpm) |        |
| grease              | 1400   |
| oil                 | 1800   |
| Calculation factors |        |
| e                   | 0.26   |
| Y1                  | 2.6    |
| Y2                  | 3.9    |
| Yo                  | 2.5    |
| Mass                |        |
| (kg)                | 16.9   |