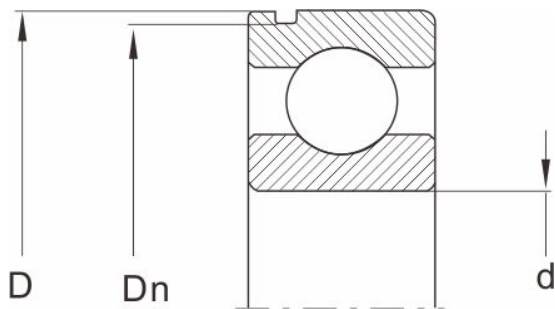


Dimensions and Parameters



Designation Bearing series

60	--
62	--
63	63/22N
64	--
D	56

Dn

min.	52.35
max.	53.6

a Bearing series 60

min.	--
max.	--

a Bearing series 62 63 64

min.	2.31
max.	2.46

b

min.	1.35
max.	1.65

r0

max.	0.4
------	-----

Stop ring

D	SP56
---	------

f

min.	1.02
max.	1.12

e

Single Row Deep Groove Ball Bearings with Snap Ring Groove and Snap

Ring

min.

3.89

max.

4.04

g

≈

4

DR

max

61.7

DG

min

62.5